

We Exhibit at JIMTOF 2024

It's time to see KIWA's brand-new models at JIMTOF 2024!

We will exhibit the three models shown below. Our co-exhibitor HARU Technique Laboratory Inc. will also show their technologies at our booth.

Moreover, we will have SAKURAI LTD. at the adjacent booth again with the collaborated decoration.

We are looking forward to seeing you at our booth!




KIWA Nobumasa, President



- VENUE: Tokyo Big Sight (Tokyo International Exhibition Center)

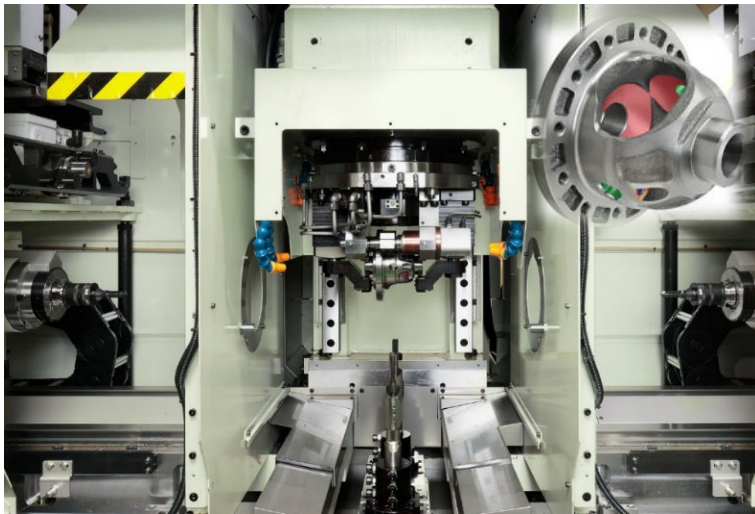
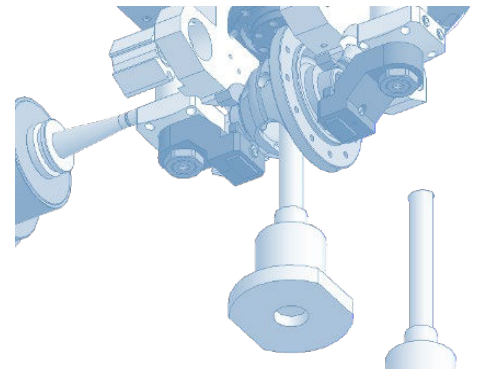
DATE	BOOTH	NOTE
Nov. 5 th (Tue) - Nov. 10 th (Sun), 2024 10:00 - 18:00*	E5014	* 10:00 - 16:00 on 10 th (Sun) Official URL: www.jimtof.org

- We Exhibit:

Model	Features to Note
Horizontal Machining Center KH-4200kai 	<ul style="list-style-type: none"> ◆ Just 1,620 mm [63.8 inch] width! ◆ Compact, suitable for Production lines and Small shops ◆ Powerful ◆ X/Y/Z: 560 x 660 x 560 mm [22.0 x 26.0 x 22.0 inch] ◆ Rapid X/Y/Z: 90 m/min [3,543 ipm] + 1G
Horizontal Machining Center Triple H40 	<ul style="list-style-type: none"> ◆ Column Traverse Type HMC ◆ Adaptable to a variety of applications ◆ [New] Turning Table Option (with Spindle Clamping system) ◆ X/Y/Z: 510 x 510 x 400 mm [20.1 x 20.1 x 15.7 inch] to 1500 x 1500 x 400 mm [59.1 x 59.1 x 15.7 inch]
Vertical Machining Center Triple V22 	<ul style="list-style-type: none"> ◆ Column Traverse Type VMC ◆ Adaptable to a variety of applications ◆ X/Y/Z: 740 (2APC) x 410 x 510 mm [59.1 x 59.1 x 15.7 inch] ◆ Rapid X/Y/Z: 75 m/min [2,953 ipm] + 1G ◆ APC Time: 2.5 sec

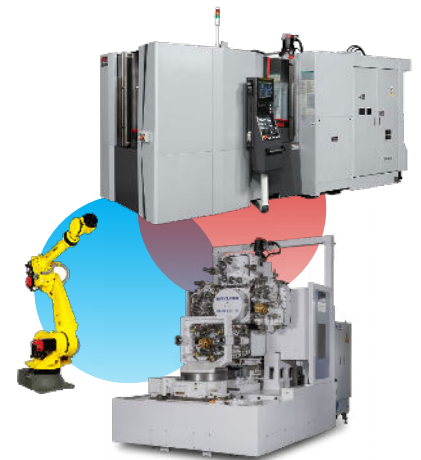
HARU Technique Laboratory Inc. as Co-exhibitor

We will exhibit related information on our matured differential case processing equipment. We will also have related information on our newly developed ATC type centering machine, so please stop by our booth. Although we are not exhibiting the actual machine this year, we will show you the contents of our booth with videos and actual workpieces.



SAKURAI LTD. (We will share an integrated booth design)

開かれる扉 ～ 新技術が待っています！



KIWA Japan

KIWA MACHINERY CO., LTD.

522-51 HARADE KURAMOCHI-CHO, NABARI, MIE
518-0752, JAPAN

TEL : +81-595-64-4758 FAX : +81-595-64-7529

E-mail : overseas@kiwa-mc.co.jp URL : www.kiwa-mc.co.jp/en/